

PI-EX-ES-1/3

Order No.: 2835325



<http://eshop.phoenixcontact.de/phoenix/treeViewClick.do?UID=2835325>

Ex basic terminal block, with three terminal points to the field level (Ex area)



Commercial data	
EAN	4017918164218
Pack	6 Pcs.
Customs tariff	85369010
Weight/Piece	0.089411 KG
Catalog page information	Page 390 (IF-2007)

Product notes

WEEE/RoHS-compliant since:
04/23/2007



<http://www.download.phoenixcontact.com>
Please note that the data given here has been taken from the online catalog. For comprehensive information and data, please refer to the user documentation. The General Terms and Conditions of Use apply to Internet downloads.

Technical data	
General data	
Nominal voltage U_N	250 V
Nom. voltage	20 V DC ... 35 V DC (See nominal voltage, PI modules)
Length	127.5 mm

Width	17.5 mm
Height	92 mm
Height with coupling plug NS 32	147.5 mm
Height with coupling plug NS 35/7,5	142.5 mm
Height with coupling plug NS 35/15	150 mm
Housing insulation material	Polyamide PA non-reinforced, polycarbonate PC, PVC
Inflammability class acc. to UL 94	V0 / V2
Color	green
Conformity	CE compliant
ATEX approval	<input type="checkbox"/> II (1)GD, [EEx ia] IIC, KEMA 99 ATEX 7296 <input type="checkbox"/> II 3 G Ex nA II T4 X
Ambient temperature (operation)	-20 °C ... 60 °C
Ambient temperature (storage/transport)	-40 °C ... 85 °C

Connection data

Connection 1	To the control system level
Type of connection	PCB / screw terminal block (4-pos.)
Conductor cross section stranded min.	0.2 mm ²
Conductor cross section stranded max.	2.5 mm ²
Conductor cross section solid min.	0.2 mm ²
Conductor cross section solid max.	4 mm ²
Conductor cross section AWG/kcmil min.	24
Conductor cross section AWG/kcmil max	12
Screw thread	M 3
Connection 2	To the field level
Type of connection	Screw connection
Conductor cross section stranded min.	0.2 mm ²
Conductor cross section stranded max.	2.5 mm ²
Conductor cross section solid min.	0.2 mm ²
Conductor cross section solid max.	2.5 mm ²
Conductor cross section AWG/kcmil min.	24
Conductor cross section AWG/kcmil max	14
Screw thread	M 3
Stripping length	8 mm
Tightening torque, min	0.5 Nm
Tightening torque max	0.6 Nm

Certificates / Approvals

Approval logo



requested approbations

Certification	CUL, GOST, UL
Certification Ex:	CUL-EX, KEMA-EX, PxC-EX, UL-EX

Accessories

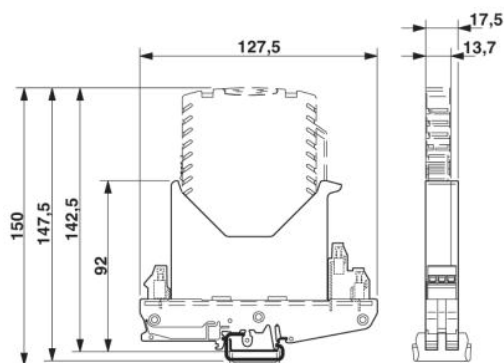
Item	Designation	Description
------	-------------	-------------

Bridges

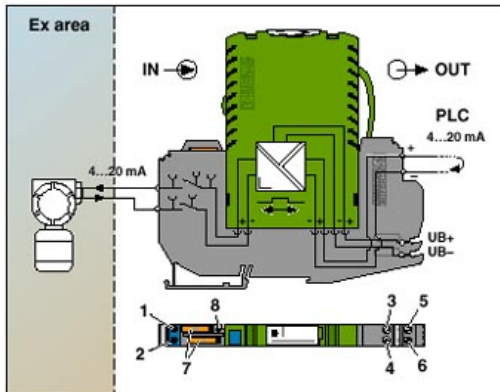
2820916	DB 50- 90 BK	Wire bridge, 50-position, divisible, for bridging identical inputs and outputs, 0.5 mm ² , insulation: black
2821180	DB 50- 90 BU	Wire bridge, 50-position, divisible, for bridging identical inputs and outputs, 0.5 mm ² , insulation: blue
2820929	DB 50- 90 GY	Wire bridge, 50-position, divisible, for bridging identical inputs and outputs, 0.5 mm ² , insulation: gray

Drawings

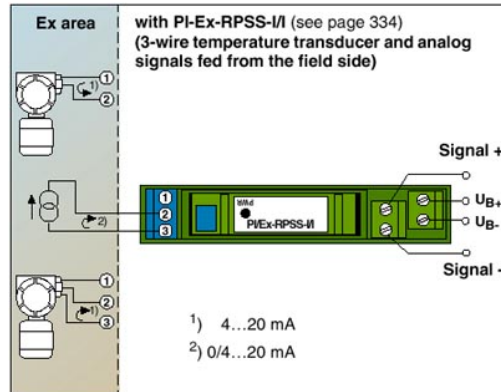
Dimensioned drawing



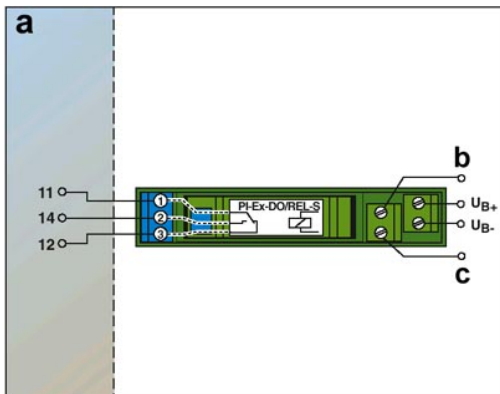
Circuit diagram



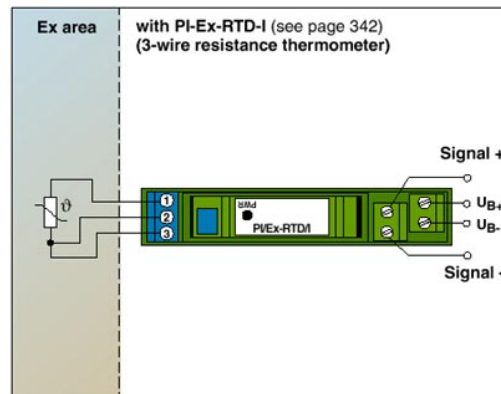
- 1 ≙ Measurement transducer supply "+"
(Clamping screw with integrated female test connector)
- 2 ≙ Current input
(Clamping screw with integrated female test connector)
- 3 ≙ Output signal "+"
- 4 ≙ Output signal "-"
- 5 ≙ U_{B+} / supply "+" 20...35 V DC
- 6 ≙ U_{B-} / supply "-"
- 7 ≙ Disconnect knife with integrated female test connector
- 8 ≙ Female test connector



- 1) 4...20 mA
- 2) 0/4...20 mA



- a = Ex area
- b = Control signal +
- c = Control signal -



Address

PHOENIX CONTACT GmbH & Co. KG
Flachmarktstr. 8
32825 Blomberg, Germany
Phone +49 5235 3 00
Fax +49 5235 3 41200
<http://www.phoenixcontact.de>



© 2008 Phoenix Contact
Technical modifications reserved;